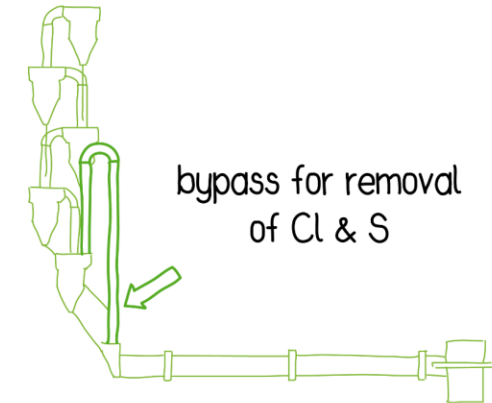
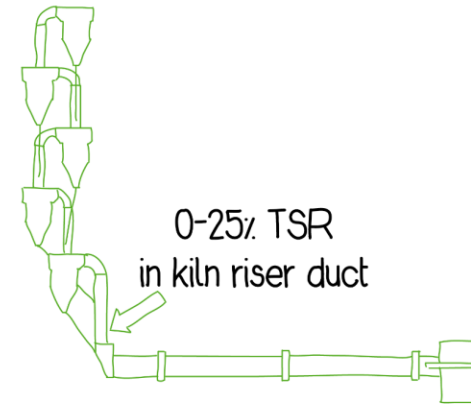


emission mitigation
NOx and SOx

you might be getting what you are after...
reduce your fuel costs down to zero or even below
raise profit
do something good for the environment and society
effort must be spent on equipment and process adaptation

mistakes can be made...
...but can be avoided by expert advice



Step by step towards alternative fuels

Matthias Mersmann / Managing Director / aixergee

